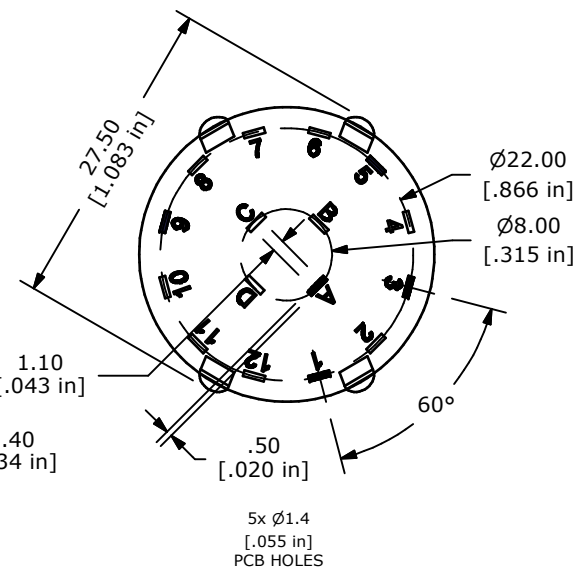
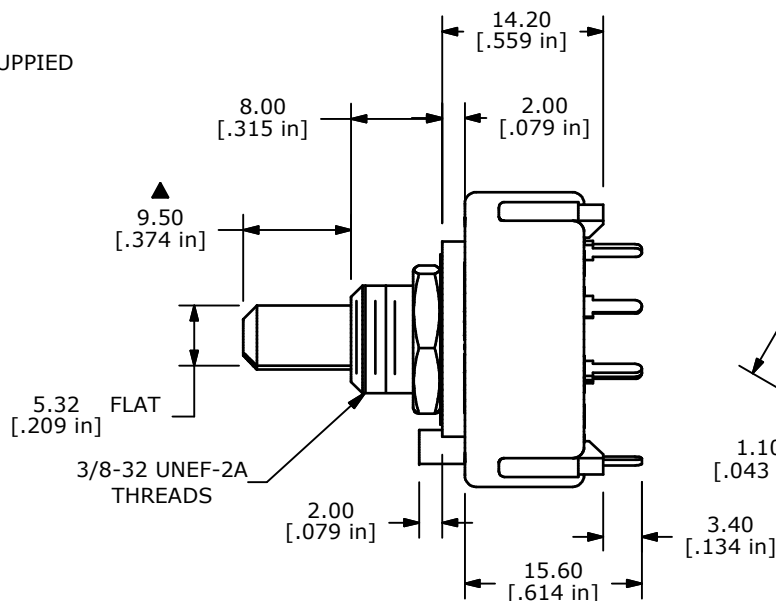
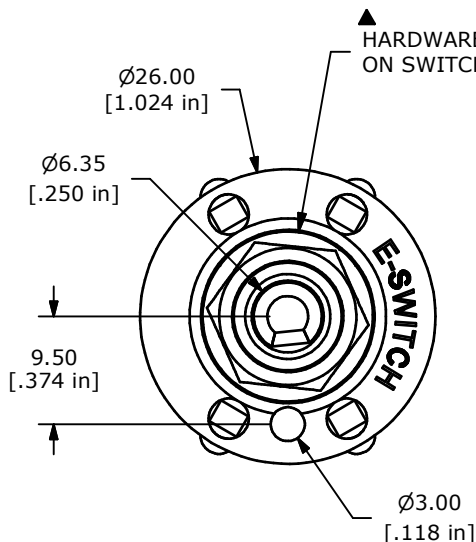
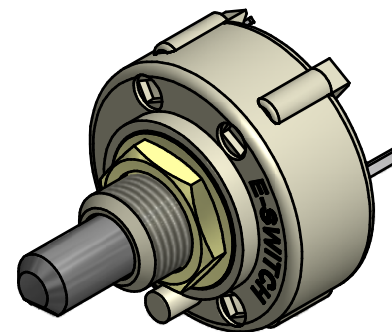


**CONTACT CONFIGURATION**  
TIMING (BBM) NON-SHORTING



**NOTE:**

1. ALL DIMENSIONS IN MM[INCH].
2. GENERAL TOLERANCE: X.X=± 0.4  
X.XX=± 0.25
3. TERM. NOS. FOR REFERENCE ONLY.
- ▲ 4. CONTACT MATERIAL: SILVER
5. CONTACT RATING: 0.3A 125VAC
6. OPERATING FORCE 800± 300 g-cm
7. OPERATING TEMP: -30°C TO 85°C
- ▲ 8. CIRCUIT SP: 3 POSITION 60° INDEX.
9. DIELECTRIC STRENGTH: 1000V RMS MIN.@ SEA LEVEL.
- ▲ 10. HARDWARE SUPPLIED ON SWITCH:  
LOCKWASHER, HEXNUT, STOP RING
11. ▲ DENOTES CRITICAL PARAMETER.



TITLE KC55A9.501NPS

A	21115	RELEASED FOR PRODUCTION	4/29/13	EBP
REV	PCR NO	DESCRIPTION	DATE	BY

SCALE	DATE 4/29/2013	DR EBP	DWG G510793	REV A
-------	-------------------	-----------	----------------	----------

THE INFORMATION CONTAINED IN THIS DOCUMENT IS PROPRIETARY TO E-SWITCH AND IS NOT TO BE COPIED OR TRANSFERRED